
Harry

SOFAS

Antonio Citterio



Description

Its principal feature, which is comfort, issues from relations between the inclination of backrest and seat, while its unmistakable distinctive trait is the aluminium foot. A small detail that endows a rather traditional product with a genuine modern touch and lightness, which have made it a timeless sofa.

Technical information

Internal frame:

tubular steel and steel profiles

Internal frame upholstery:

Bayfit® (Bayer®) flexible cold shaped polyurethane foam, polyester fibre cover

Seat cushions upholstery:

shaped polyurethane of different density, sterilized down, cotton cover

Back cushions upholstery:

shaped polyurethane, sterilized down, polyester fibre, cotton cover

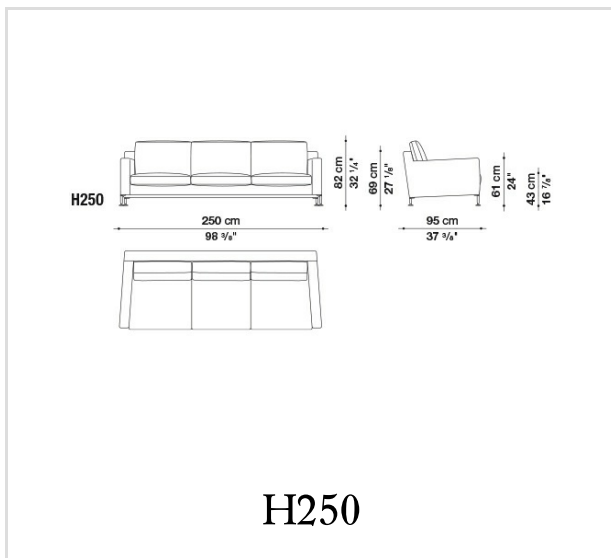
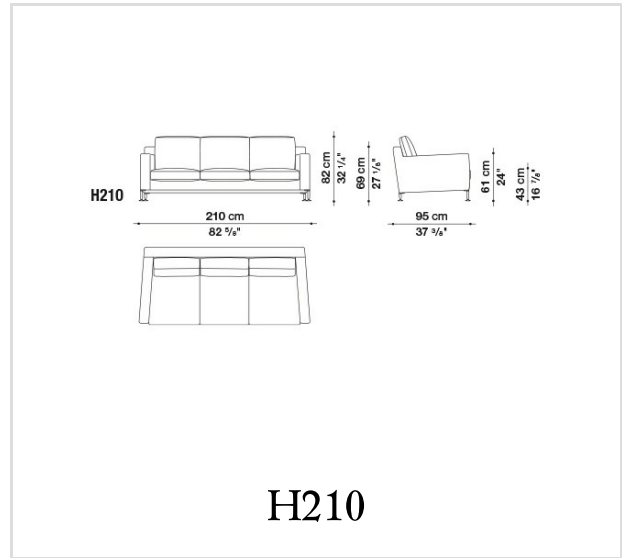
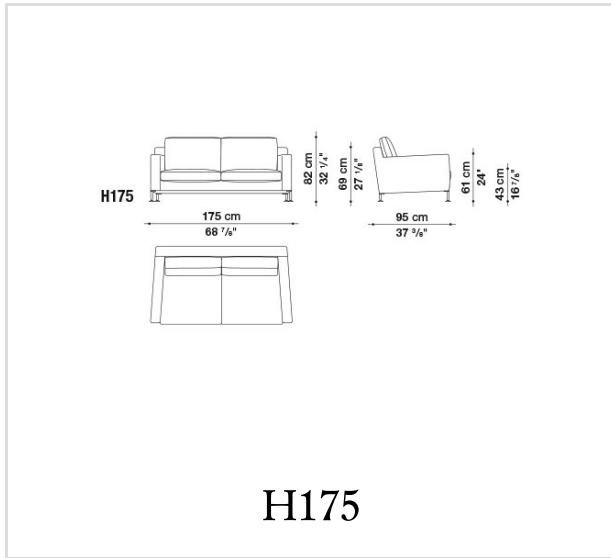
Feet:

bright brushed aluminium sheet and extrusions

Cover:

fabric or leather

Technical drawings



B&B Italia reserves the right to make technological and aesthetic improvements to its models, including changes to the sizes and materials, without notice. The technical drawings do not define the details of the product. The measurements shown are indicative and may undergo changes. In particular, the dimensions relevant to the padded parts are subject to usage tolerances over time caused by the normal adjustment of the padding. For the specific information, please contact the dealer closest to you.