

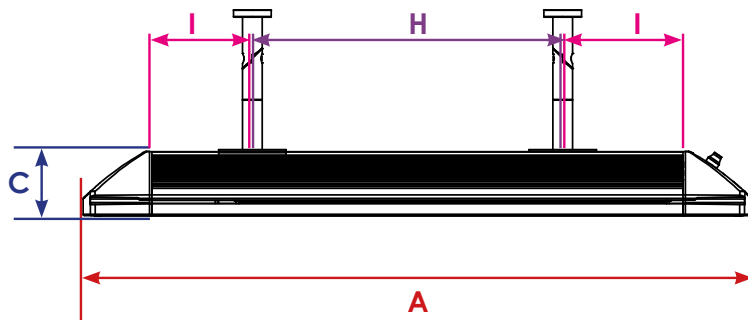
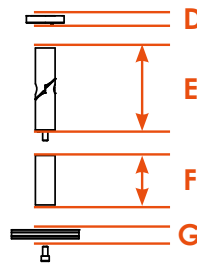
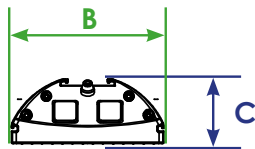
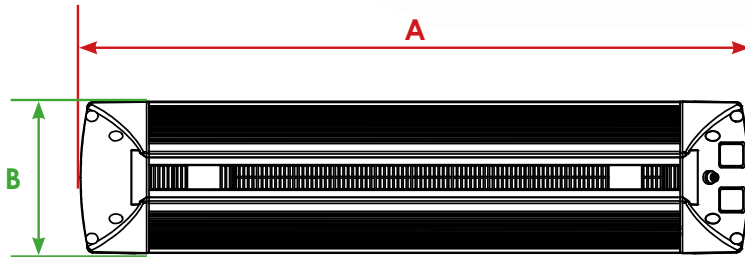
# TECHNICAL DATA

## HEATSCOPE Spot power heater

<b>Voltage</b>	230 V AC ~ – 50/60 Hz
<b>Power</b>	1600 W / 2200 W / 2800 W
<b>Amperage</b>	6.96 A / 9.57 A / 12.17 A
<b>Cable</b>	1.1 m / 3 x 1.5 mm <sup>2</sup> oder 1.1 m / 4 x 1.5 mm <sup>2</sup>
<b>Temperature surface</b>	400 °C
<b>Temperature housing</b>	max. 150 °C
<b>Filament temperature</b>	1200-1300 °C
<b>Colour temperature</b>	1550-1650 K
<b>max. power in</b>	ca. 10 sec.
<b>Visible light</b>	< 600 Lux
<b>recommended installation height</b>	min. 1.8 m / max. 3 m
<b>IP safety class</b>	IP 24 (well covered or with optional weather shield)
<b>Control</b>	manually/external: ON/OFF + 100%, 50%  or: via IR-Remote Control ON/OFF + 100%, 50%



# HEATSCOPE SPOT



	A	B	C	D	E	F	G	H	I
MHS-SM1600 MHS-SP1600	670 mm	184 mm	82 mm	9 mm	100 mm	60 mm	11 mm	≤ 240 mm	≥ 135 mm
MHS-SM2200 MHS-SP2200	810 mm							≤ 300 mm	≥ 175 mm
MHS-SM2800 MHS-SP2800	890 mm							≤ 370 mm	≥ 175 mm